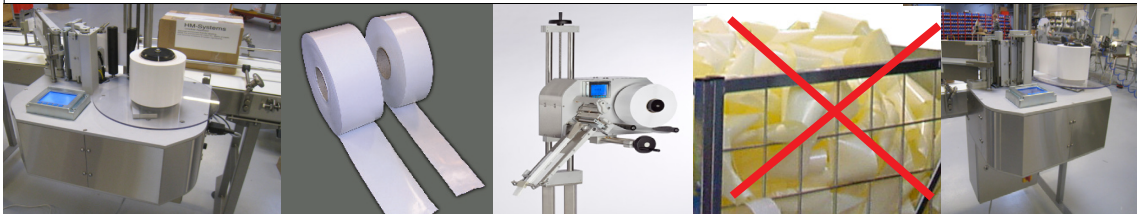


HM LINERFREE® SYSTEMS MKII

INNOVATIVE MARKING

Linerless Labelling without backing paper

The environmentally friendly labelling solution reducing CO2 emission, increasing efficiency and flexibility. It simultaneously eliminates waste and waste handling and reduces overall labelling costs by up to 30%.

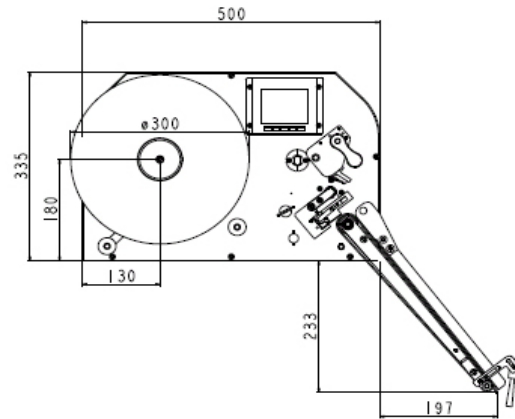
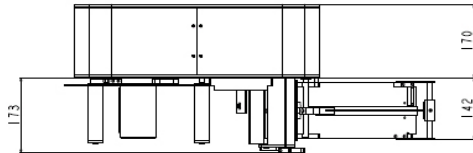


- Reduces CO2 emission and operating costs
- No backing paper - no waste - 100% use of all paper
- 60% more paper on rolls = 60% longer operating time
- Environmentally friendly as no silicone waste is created
- Up to 30% reduction of labelling costs
- Many different layouts on the same roll
- Fewer and faster change of label rolls
- Increased efficiencies due to fewer roll changes
- 50% longer life on printheads
- Reduces cost for label stock
- Flexible - can be used for top, bottom, side and wrap-around applications

HM[®]
SYSTEMS

HM LINERFREE® SYSTEMS

TECHNICAL SPECIFICATIONS



HM LINERFREE® PRINTER, 203 DPI

Resolution	203 dpi / 8 dot pr. mm
Print speed	51 - 304 mm/sek.
Feed rate	51 - 304 mm/sek.
Print width	104 mm
Label width	25 - 118 mm
Print length	6 - 150/350 mm
Label length	50 - 50-150/350 mm

HM LINERFREE® PRINTER, 300 DPI

Resolution	300 dpi / 12 dot pr. mm
Print speed	50 - 254 mm/sek.
Feed rate	50 - 254 mm/sek.
Print width	105,7 mm
Label width	25 - 118 mm
Print length	6 - 150/350 mm
Label length	50 - 50-150/350 mm

HM LINERFREE® APPLICATORS:

Dispenser module	150 mm/350 mm
Pneumatic applicator	
- stroke length	200 mm
Hand mounting unit	

STRUCTURE

Print technology	Direct thermal transfer
Forward stroke motor	Stepper motor
Right/left usage	Both
Run-out alarm	Label-run out alarm

OPERATION

Display	LCD display with back light
Keyboard	Function keys
Language	GB, D, NL, F, I, DK

INTERNAL CONTROL

Control	Microprocessor
Serial	4 x RS 232, 1 x RS 422, 1 x RJ 785

MACHINE SPECIFICATIONS

Material	Anodized aluminium and stainless steel
IP-fatigue limit	Dispenser IP 32
Dimensions (HxWxD)	478 x 355 x 784 mm
Weight (approx.)	15 kg, steering box 10 - 15 kg
Voltage/output	230 V / 200 W
Certifications	CE
Warranty	One year at eight hours operation per day five days a week

OPTIONS

Ethernet	10/100 mb network card
MCL	Printer as independent communicating unit
Software	Code soft

HM LINERFREE® PAPER

Standard width (Stock)	49, 70, 98 mm
Standard colour (Stock)	White
Special colour/Logo	Please contact us for further info

Produced under strict quality control, HM Linerfree® thermal paper is coated on both sides, and the adhesive and silicone are developed to achieve a self-cleansing effect. These facts combined ensure that HM Linerfree® paper offers the highest possible level of print quality and dependability

ALL IPR RESERVED BY HM SYSTEMS

HM[®]
SYSTEMS